



GDL 50/51/52

Portable SiriusXM®, GPS Receiver, and
ADS-B Receiver User's Guide



© 2019 Garmin Ltd. or its subsidiaries. All rights reserved.

This manual reflects the operation of System Software version 2.00, or later. Some differences in operation may be observed when comparing the information in this manual to later software versions.

Garmin International, Inc.
1200 E. 151st Street, Olathe, KS 66062 USA

Garmin (Europe) Ltd.
Liberty House, Hounsdown Business Park, Southampton, Hampshire SO40 9LR U.K.

Garmin aviation product support and warranty information can be found at www.flygarmin.com.

Except as expressly provided herein, no part of this manual may be reproduced, copied, transmitted, disseminated, downloaded or stored in any storage medium, for any purpose without the express written permission of Garmin. Garmin hereby grants permission to download a single copy of this manual and of any revision to this manual onto a hard drive or other electronic storage medium to be viewed for personal use, provided that such electronic or printed copy of this manual or revision must contain the complete text of this copyright notice and provided further that any unauthorized commercial distribution of this manual or any revision hereto is strictly prohibited.

This part shall comply with Garmin Banned and Restricted Substances document, 001-00211-00.

Garmin® is a registered trademarks of Garmin Ltd. or its subsidiaries. These trademarks may not be used without the express permission of Garmin. iPad®, iPhone®, iPod®, and iPod touch are trademarks of Apple Inc., registered in the USA and other countries. Android™ is a trademark of Google Inc. Sirius, XM, SiriusXM, and all related marks and logos are trademarks of Sirius XM Radio Inc. All other marks, channel names, and logos are the property of their respective owners. All rights reserved. The Bluetooth® word mark and logos are owned by the Bluetooth SIG, Inc. and any use of such marks by Garmin is under license.

February 2019

Printed in the United States or Taiwan





WARNING: *The attitude information provided by the GDL 5X is not intended to be used as a source of attitude information for flight in instrument meteorological conditions.*



WARNING: *This unit provides the ability to receive weather information through external sources. Use weather data only as an aid to situational awareness. Such weather information is merely supplemental and advisory in nature and is not intended to be relied upon as safety-critical information in connection with any aviation, vehicle, or marine usage. The user should always exercise caution and common sense when confronted with severe weather conditions.*



WARNING: *Do not use data link weather information for maneuvering in, near, or around areas of hazardous weather. Information contained within data link weather products may not accurately depict current weather conditions.*



The GDL 50/52 traffic information is provided as an aid in visually acquiring traffic. Pilots must maneuver the aircraft based only upon ATC guidance or positive visual acquisition of conflicting traffic.



WARNING: *For safety reasons, GDL 5X operational procedures must be learned on the ground.*



WARNING: Use the GDL 5X only as an aid for VFR navigation. Do not attempt to use the GDL 5X for any purpose requiring precise measurement of direction, distance, location, or topography. This product should not be used to determine ground proximity for aircraft navigation.



WARNING: The altitude calculated by the GPS receiver is geometric height above Mean Sea Level and could vary significantly from the altitude displayed by pressure altimeters.



WARNING: The pressure altitude information provided by the GDL 5X in a pressurized airplane will not be accurate. Use the connected display device to disable pressure information from the GDL 5X.



WARNING: The GDL 5X has a very high degree of functional integrity. However, the pilot must recognize that providing monitoring and/or self-test capability for all conceivable system failures is not practical. Although unlikely, it may be possible for erroneous operation to occur without a fault indication shown by the GDL 5X. It is thus the responsibility of the pilot to detect such an occurrence by means of cross-checking with all redundant or correlated information available in the cockpit.



WARNING: The GDL 5X contains a lithium-ion battery. To prevent damage, remove the unit from the aircraft or vehicle when exiting or store it out of direct sunlight.



WARNING: *The United States government operates the Global Positioning System and is solely responsible for its accuracy and maintenance. The GPS system is subject to changes which could affect the accuracy and performance of all GPS equipment.*



WARNING: *When installing the GDL 5X in an aircraft, place the unit securely so that it does not interfere with aircraft operating controls or obstruct the pilot's view.*



CAUTION: *The Garmin GDL 5X does not contain any user-serviceable parts. Repairs should only be made by an authorized Garmin service center. Unauthorized repairs or modifications could void both the warranty and the pilot's authority to operate this device under FAA/FCC regulations.*



NOTE: *Temporary Flight Restriction (TFR) data is provided by the FAA and may not be updated outside of normal business hours. Confirm data currency through alternate sources and contact the local FSS for interpretation of TFR data. This product has not been endorsed or otherwise approved by the National Geospatial-Intelligence Agency, or the United States Department of Defense (10 U.S.C. 425).*



NOTE: *All visual depictions contained within this document, including images of the GDL 5X and the bezel, displays, and screens of other products are subject to change and may not reflect the most current software or hardware. Depictions of equipment may differ slightly from the actual equipment.*



NOTE: *This product, its packaging, and its components contain chemicals known to the State of California to cause cancer, birth defects, or reproductive harm. This notice is being provided in accordance with California's Proposition 65. If you have any questions or would like additional information, please refer to our web site at www.garmin.com/prop65.*



NOTE: *Throughout this document, all references to “GDL 5X” apply equally to the GDL 50, GDL 51, and GDL 52 unless otherwise noted.*

Software Licence Agreement

BY USING THE DEVICE, COMPONENT OR SYSTEM MANUFACTURED OR SOLD BY GARMIN (“THE GARMIN PRODUCT”), YOU AGREE TO BE BOUND BY THE TERMS AND CONDITIONS OF THE FOLLOWING SOFTWARE LICENSE AGREEMENT. PLEASE READ THIS AGREEMENT CAREFULLY. Garmin Ltd. and its subsidiaries (“Garmin”) grants you a limited license to use the software embedded in the Garmin Product (the “Software”) in binary executable form in the normal operation of the Garmin Product. Title, ownership rights, and intellectual property rights in and to the Software remain with Garmin and/or its third-party providers. You acknowledge that the Software is the property of Garmin and/or its third-party providers and is protected under the United States of America copyright laws and international copyright treaties. You further acknowledge that the structure, organization, and code of the Software are valuable trade secrets of Garmin and/or its third-party providers and that the Software in source code form remains a valuable trade secret of Garmin and/or its third-party providers. You agree not to reproduce, decompile, disassemble, modify, reverse assemble, reverse engineer, or reduce to human readable form the Software or any part thereof or create any derivative works based on the Software. You agree not to export or re-export the Software to any country in violation of the export control laws of the United States of America.

FCC Compliance

This device complies with part 15 of the FCC Rules. Operation is subject to the following two conditions: (1) this device may not cause harmful interference, and (2) this device must accept any interference received, including interference that may cause undesired operation.

This equipment has been tested and found to comply with the limits for a Class B digital device, pursuant to part 15 of the FCC rules. These limits are designed to provide reasonable protection against harmful interference in a residential installation. This equipment generates, uses, and can radiate radio frequency energy and may cause harmful interference to radio communications if not installed and used in accordance with the instructions. However, there is no guarantee that interference will not occur in a particular installation. If this equipment does cause harmful interference to radio or television reception, which can be determined by turning the equipment off and on, the user is encouraged to try to correct the interference by one of the following measures:

- Reorient or relocate the receiving antenna.
- Increase the separation between the equipment and the receiver.
- Connect the equipment into an outlet that is on a different circuit from the unit.
- Consult the dealer or an experienced radio/TV technician for help.

Radio Frequency Exposure

This device is a mobile transmitter and receiver that uses its antenna to send and receive low levels of radio frequency (RF) energy for voice and/or data communications. The device emits RF energy below the published limits when operating in its maximum output power mode and when used with Garmin authorized accessories. To comply with FCC RF exposure compliance requirements, the device should be mounted per the installation instructions only. The device should not be used in other configurations. The device must be mounted a minimum of 20 cm away from the body of the user. This device must not be co-located or operated in conjunction with any other transmitter or antenna.

Innovation, Science and Economic Development Canada Compliance

This device complies with Innovation, Science and Economic Development Canada license-exempt RSS standard(s). Operation is subject to the following two conditions: (1) this device may not cause interference, and (2) this device must accept any interference, including interference that may cause undesired operation of the device.

Innovation, Sciences et Développement économique Canada - Conformité

Cet appareil est conforme aux normes RSS sans licence du ministère Innovation, Sciences et Développement économique Canada. Son fonctionnement est soumis aux deux conditions suivantes : (1) ce périphérique ne doit pas causer d'interférences et (2) doit accepter toute interférence, y compris les interférences pouvant entraîner un fonctionnement indésirable de l'appareil.
M/N: A02895

Product Environmental Programs

Information about the Garmin product recycling program and WEEE, RoHS, REACH, and other compliance programs can be found at www.garmin.com/aboutGarmin/environment.

Declaration of Conformity

Hereby, Garmin declares that this product is in compliance with the Directive 2014/53/EU. The full text of the EU declaration of conformity is available at the following internet address: www.garmin.com/compliance.

Wireless Frequencies/Protocols

2.4 GHz @ 4.0 dBm nominal

Anatel Warning

Este equipamento não tem direito à proteção contra interferência prejudicial e não pode causar interferência em sistemas devidamente autorizados.

1 UNIT OVERVIEW



Figure 1 GDL 5X Interface (GDL 52 shown)

1.1 Power and Charging



NOTE: *Garmin recommends fully charging the unit, while in Standby Mode, with a USB wall charger (1A or higher), before first use. (USB ports on most PC's supply only 0.5A.)*

The unit will always turn on when external power is applied {Normal Mode}.

Power source via the micro-USB connector:

- 5.0V \pm 0.25V; 1.0A Max (powered on and slow charge) {Normal Mode}
- 5.0V \pm 0.25V; 2.0A Max (powered off and fast charge) {Standby Mode}

Power Source via the power/data connector:

- 10-32V; 0.75A Max (powered on and slow charge) {Normal Mode}
- 10-32V; 1.0A Max (powered off and fast charge) {Standby Mode}



NOTE: *If powered ON from a standard USB wall charger the unit will auto detect the wall charger and go into standby mode. In standby mode, the battery LED will be solid red if charging, or off if the battery is fully charged. Press the power button for normal operation. Maximum total power while in standby mode is 10W. Total charge time is ~2 hours in this state, when using a 5V/2A charger.*



NOTE: *The battery saver feature will turn off the unit when external power is removed if all three of the following conditions are true:*

- 1. Ground Speed less than 20kts OR No GPS fix*
 - 2. No Connex connection*
 - 3. Running on battery only*
-



NOTE: *When the battery saver feature is active and the above three conditions are met, the green battery LED will flash if the unit is about to shut down. Press the power button once to cancel the battery saver feature and keep the unit on.*

2 OPERATION

2.1 Power Button Functions

- ON/OFF – single press
- Clear Paired Devices
 - See Section 2.2 Bluetooth Setup
- USB Mass Storage Mode – 3 second press
 - While the unit is booting up, hold the Power Button for 3 seconds.
 - GPS/SXM/ADS-B LEDs will flash orange while in this state.
 - Limited functionality, can be used to install SW upgrades.
(see Section 2.3)
 - Press the power button to exit this mode.
- Reset the Unit – Hold for more than 10 seconds.

2.2 Bluetooth Setup

1. When powered on, the GDL 5X will go into pairing mode. Directions for connecting the GDL 5X to a specific display can be found in the display's pilot's guide.
2. The Connex LED will be solid blue when the display device is connected. Two Bluetooth display devices may be connected to the GDL at the same time.
3. A Bluetooth Audio device may also be connected to the GDL 51/52. Directions for connecting an audio device are included in the pilot's guide of the connected display.



NOTE: *If having issues making a Bluetooth connection hold the power button down for 5 seconds. The blue Connex LED will begin blinking. Release the power button and then press the Power button again for 5 seconds. Power cycle the GDL 5X and retry making a Bluetooth connection. If the problem persists, consult the GDL 5X Installation Manual.*

2.3 Software Updates

Software updates for the GDL 5X can be received through your Garmin display device or from www.garmin.com/products/webupdater/. See the display device documentation for details. Instructions for using Webupdater can be found on the Garmin website.



Figure 2 GDL 52 LEDs

Table 1 GDL 5X Status LEDs

LED Color/ State*	Battery	Connex	GPS	ADS-B GDL 50/52	SXM GDL 51/52
OFF	Unit off	No active connection	No GPS fix	No signal	No signal
RED	Charging (solid) Fault (flashing)	Not used	Fault	Fault	Fault
ORANGE	Battery $\leq 20\%$	N/A	Firmware update	N/A	Firmware update
GREEN	Battery $\geq 20\%$ OR External power is applied Battery saver feature (flashing)	N/A	GPS fix	Received at least 1 ground station in past 60 seconds	Marginal - good signal
BLUE	N/A	Active connection OR pairing list cleared (flashing)	N/A	N/A	N/A

*LEDs are auto-dimming.

3 INSTALLATION

The GDL 5X may be connected to a compatible display device by either a wireless Bluetooth connection or directly through a serial cable. The GDL 5X supports two connections to Bluetooth display devices. The GDL 5X can also be physically wired to two displays.

3.1 Interface Cables

3.1.1 GDL 5X to aera 660 Power/Data Cable

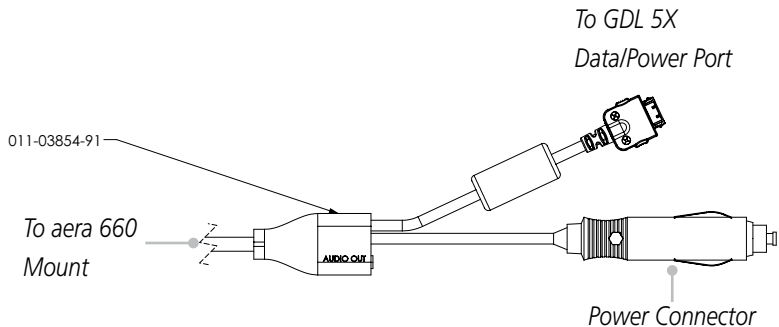


Figure 3 GDL 5X to aera 660 Power/Data Cable (010-12373-02)

3.1.2 GDL 5X to Bare Wire Power/Data Cable

Table 2 GDL 5X to Bare Wire Power/Data Cable Connections

Connection	Wire Color	AWG
Vin 10-32 VDC	Red	26
Not Used	Gray	--
Rx B (Data In)	White/Orange	28
Tx B (Data Out)	Orange	28
Rx A (Data In)	White/Green	28
Tx A (Data Out)	Green	28
Ground	Black	26

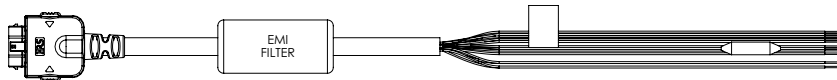


Figure 4 GDL 5X to Bare Wire Power/Data Cable (010-11686-40)

3.2 External Antennas (Optional)

The GDL 5X includes internal antennas for GPS and SiriusXM (GDL 51/52 only), but can use optional external antennas. GDL 50/52 units include a detachable ADS-B antenna, but may use an optional external ADS-B Antenna.

To remove the ADS-B antenna, rotate the antenna as shown in Figure 5, then gently pull out to detach the antenna.

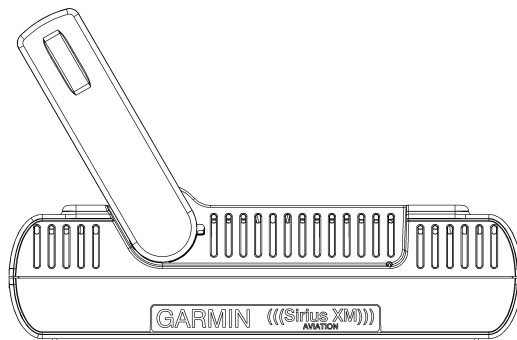


Figure 5 GDL 50/52 ADS-B Antenna Removal



NOTE: *The GDL 5X can receive GPS information when interfaced with certain Garmin displays. Refer to your specific Garmin display manual to determine if this is supported.*

3.3 GDL 5X Location and Mounting

3.3.1 Location

For best reception position the GDL 5X where it has a clear view of the sky. For proper performance of the attitude function, the GDL 5X should be placed as close as possible to the center of the aircraft (along its longitudinal axis) with the FWD arrow pointing in the direction of flight. If the unit is placed on the glare shield it may get very hot due to the direct sunlight and reduce the operating life of the unit. The GDL 5X antennas, internal or external, should be mounted at least 3.3 feet (1 meter) away from the path of any high powered transmitter antenna, such as a transponder or VHF radio antenna. The GDL 5X should be mounted at least 6 inches (10.24 cm) away from a magnetic compass.



WARNING: It is the sole responsibility of the owner/operator of the GDL 5X to place this mount and secure the unit so that it will not interfere with the aircraft's operating controls and safety devices, or cause damage or personal injury in the event of an accident or turbulence. Do not mount the GDL 5X where the pilot or passengers are likely to impact it in an accident, collision, or turbulence. The mounting hardware provided by Garmin is not warranted against turbulence, collision damage, or related consequences.

3.3.2 GDL 5X Mounting Instructions

A mounting plate is included to provide a fixed mount inside the aircraft, if desired. The GDL 5X has a rubber pad that prevents the unit from sliding around, if the mounting plate is not used. The GDL 5X may be mounted in a remote location away from the cockpit, but may require the use of an external antenna for best GPS, ADS-B, and SiriusXM reception.

1. Locate the proposed mounting position. Ensure that the cabling will reach the required connections with room to secure the cables in a safe manner. Cables may be inserted into the slot in the included suction cup to assist in routing cables.
2. Place the mounting plate in position and mark the location of the four mounting holes.
3. Drill holes for the mounting screws with the appropriately sized bit.
4. Attach the mounting plate with four #8 flat head 100° screws (not supplied).

5. Ensure that the FWD arrow on the serial number tag is pointing in the direction of flight.
6. Insert the GDL 5X into the mounting plate and then push down gently so it snaps into place.

WITH MOUNTING BRACKET

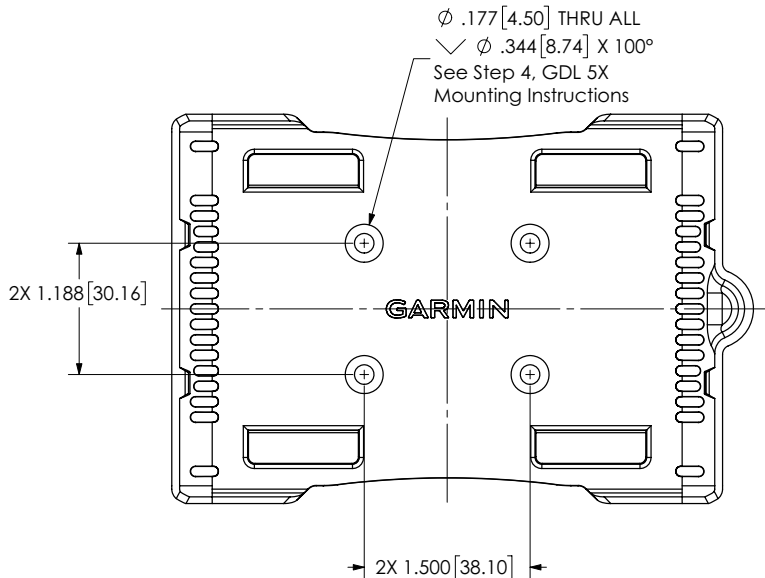


Figure 6 GDL 5X Mounting Bracket

4 APPENDIX

4.1 Contact Garmin

If you have questions concerning unit operation or repair, Garmin aviation product support and warranty information can be found at www.flygarmin.com.

When contacting Garmin, please have the following information:

- System configuration (products, antennas, mounting locations, etc.)
- Model No., part number, and serial number
- Software versions
- Description of the problem
- Efforts made to isolate/solve the problem

4.2 GDL 5X Physical Specifications

Operating Temperature Range: -4° F to +140° F (-20°C to 60°C)

Charging Temperature Range: 32° F to +90° F (0°C to 32°C)

Weight: 0.75 lbs (0.34 kg)

Unit	Width	Height	Depth
GDL 51	4.9" (12.44 cm)	1.3" (3.30 cm)	3.4" (8.64 cm)
GDL 50/52 (antenna down)	4.9" (12.44 cm)	1.5" (3.81 cm)	3.4" (8.64 cm)
GDL 50/52 (antenna up)	4.9" (12.44 cm)	3.4" (8.57 cm)	3.4" (8.64 cm)

4.3 Servicing Your Unit

The Garmin GDL 5X has no user-serviceable parts. The GDL 5X is sealed to protect the unit. Any attempt to open the case to change or modify the unit in any way voids your warranty and may result in permanent damage to the equipment.

4.5 Battery Information

If these guidelines are not followed, the internal Lithium Ion battery may experience a shortened life span or may present a risk of damage to the unit, fire, chemical burn, electrolyte leak, and/or injury.

- Do not leave the unit exposed to a heat source or in a high temperature location, such as in the sun in an unattended aircraft on a hot day. To prevent damage, remove the unit from the aircraft or store it out of direct sunlight.
- Do not disassemble, puncture, damage, or incinerate the unit/battery.
- When storing the unit for a limited length of time (less than 30 days), store within the following temperature range: -4° to 122°F (-20° to 50°C). When storing the unit for an extended time, store within the following temperature range: -4° to 86°F (-20° to 30°C).
- The battery LED will flash red, if the battery is too hot/cold to charge. This indication will only occur when the unit is in standby.
- Do not operate the unit outside of the following temperature range: -4° to 140°F (-20° to 60°C).
- Do not remove or attempt to remove the non-user-replaceable battery.
- Do not immerse or expose unit to water or other liquids.
- Do not use a power and data cable that is not approved or supplied by Garmin.

- Contact your local waste disposal department to dispose of the device in accordance with applicable laws and regulations.

4.6 Product Registration

Help us better support you by completing your online registration today! Have the serial number of your product handy and connect to the Garmin web site (<http://my.garmin.com>). Look for the Product Registration link on the Home page. Also, be sure to record your serial number in the space provided.

To obtain accessories for your unit, please contact your Garmin dealer or visit garmin.com/aviation.

Help us better support you by completing our on-line registration form today! Registration ensures that you will be notified of product updates and new products and provides lost or stolen unit tracking. Please, have the serial number of your unit handy, connect to our web site (www.garmin.com) and look for our Product Registration link on the Home page.

Use the line below to record the serial number in case it is lost, is stolen, or needs service. The serial number is located on the bottom of your unit.

Serial Number: _____

4.7 ACTIVATING A SiriusXM SUBSCRIPTION

SiriusXM offers several subscription options. Go to <http://www.siriusxm.com/sxmaviation> to determine which subscription package is best for your needs.

Before you can activate your SiriusXM subscription, you must have the radio ID. The radio ID is available in the product box, the unit's S/N tag, and on the System Information Page of a connected device. See the owner's manual provided with your device for more information.

1. Contact SiriusXM by phone at (866) 528-7474 or go to <http://care.siriusxm.com> to subscribe.
2. Provide the necessary information to the SiriusXM representative or on the web site to activate your antenna.
3. Verify the functionality of the activated services:
 - For SiriusXM weather, on a connected device, view the Weather Products list and confirm that your subscribed services are listed. See the owner's manual provided with your device for more information.
 - For SiriusXM radio, on a connected device, go to the SiriusXM Audio Page and confirm that radio channels are available. See the owner's manual provided with your device for more information.
4. If the service is not activated within the hour, go to <http://care.siriusxm.com/refresh> or contact SiriusXM by phone at 1-855-MYREFRESH (697-3373).



NOTE: For the unit to receive the SiriusXM signal, it must be powered on, facing skyward, and tuned to channel 1.

4.8 SiriusXM Satellite Radio Service Agreement

4.8.1 SiriusXM Satellite Radio Inc.

Hardware and required monthly subscription sold separately. USER ACKNOWLEDGES THAT GARMIN HAS NO CONTROL OVER THE TERMS AND REQUIREMENTS OF THE SUBSCRIPTION. COMPATIBILITY OF HARDWARE EQUIPMENT WITH THEN-CURRENT SUBSCRIPTION OFFERING OF SERVICE PROVIDER IS ALSO BEYOND GARMIN'S CONTROL. GARMIN SHALL HAVE NO LIABILITY IF CHANGES IN SERVICE PROVIDER'S SUBSCRIPTION OFFERING NEGATIVELY IMPACTS OR RENDERS IMPOSSIBLE THE USE OF PURCHASED GARMIN HARDWARE EQUIPMENT WITH THE SERVICE PROVIDER'S OFFERING IN THE FUTURE. Subscription fee is consumer only. Other fees and taxes, including a one-time activation fee may apply. All programming fees and weather data subject to change. SiriusXM weather data and individual product availability vary by hardware equipment. Reception of the SiriusXM signal may vary depending on location. Subscriptions subject to Customer Agreement included with the SiriusXM Welcome Kit and available at www.siriusxm.com. USER ACKNOWLEDGES THAT GARMIN IS AN INTENDED THIRD PARTY BENEFICIARY OF SUCH CUSTOMER AGREEMENT,

AND THAT ALL DISCLAIMERS CONTAINED THEREIN EQUALLY APPLY AS IF SUCH DISCLAIMERS WERE MADE DIRECTLY BY GARMIN. Available only in the 48 contiguous United States.

THE USER AGREES THAT THE SiriusXM WEATHER SERVICE OFFERING IS PROVIDED “AS IS”, THAT YOUR GARMIN HARDWARE EQUIPMENT ONLY ALLOWS THE DISPLAY OF SUCH SERVICE OFFERING, AND THAT ANY CHANGES BY THE SERVICE PROVIDER MAY INTERFERE WITH THE ABILITY OF YOUR GARMIN HARDWARE EQUIPMENT TO RECEIVE OR DISPLAY SUCH SERVICE OFFERING. FURTHER, SUCH SERVICE OFFERING CONTAINS INFORMATION FURNISHED BY OTHERS WHO ARE NOT UNDER THE CONTROL OF GARMIN, AND THEREFORE THE SERVICE OFFERING IS ACCORDINGLY FURNISHED WITHOUT ANY WARRANTY OF GARMIN, EXPRESS OR IMPLIED, INCLUDING WITHOUT LIMITATION, IMPLIED WARRANTIES OF MERCHANTABILITY AND FITNESS FOR A PARTICULAR PURPOSE.

4.8.2 Caution - Advisory Only

THE WEATHER INFORMATION IS SUBJECT TO SERVICE INTERRUPTIONS AND MAY CONTAIN ERRORS OR INACCURACIES AND CONSEQUENTLY SHOULD NOT BE RELIED UPON EXCLUSIVELY. YOU ARE URGED TO CHECK ALTERNATE WEATHER INFORMATION SOURCES PRIOR TO MAKING SAFETY RELATED DECISIONS. YOU ACKNOWLEDGE AND AGREE THAT YOU SHALL BE SOLELY RESPONSIBLE FOR USE OF THE INFORMATION AND ALL DECISIONS TAKEN WITH RESPECT THERETO. BY USING THIS SERVICE, YOU RELEASE AND WAIVE ANY CLAIMS AGAINST SiriusXM RADIO INC., THE WEATHER COMPANY, NAVCAST INCORPORATED, AND GARMIN SWITZERLAND GmbH AND ALL OF THEIR RESPECTIVE AFFILIATES WITH REGARD TO THIS SERVICE.

4.8.3 User Safety

If you use SiriusXM Services it is your responsibility to exercise prudent discretion and observe all safety measures required by law and your own common sense. You assume the entire risk related to your use of the Services. SiriusXM and Garmin assume no responsibility for accidents resulting from or associated with use of the Services. Your Radio Service includes weather information, and you acknowledge that such information is not for “safety for life”, but is merely supplemental and advisory in nature, and therefore cannot be relied upon as safety-critical in connection with any aircraft, or automobile usage. This information is provided “as is” and SiriusXM and Garmin disclaim any and all warranties, express and implied, with respect thereto or the transmission or reception thereof. SiriusXM and Garmin further do not warrant the accuracy, reliability, completeness or timeliness of the weather information disclosed on the Radio Service. In no event will SiriusXM and Garmin, their data suppliers, service providers, marketing/distribution, software or Internet partners or hardware manufacturers be liable to you or to any third party for any direct, indirect, incidental, consequential, special, exemplary or punitive damages or lost profits resulting from use of or interruptions in the transmission or reception of the Services.

4.8.4 Limits On Our Responsibility

a) DISCLAIMERS.

EXCEPT AS EXPRESSLY PROVIDED HEREIN, WE MAKE NO WARRANTY OR REPRESENTATION, EITHER EXPRESS OR IMPLIED, REGARDING THE RADIO SERVICE. YOUR USE OF THE SERVICE IS AT YOUR SOLE RISK. THE CONTENT AND FUNCTIONALITY OF THE SERVICE IS PROVIDED “AS IS” WITHOUT ANY WARRANTY OF ANY KIND, EXPRESS OR IMPLIED. ALL SUCH WARRANTIES OR REPRESENTATIONS (INCLUDING, WITHOUT LIMITATION, THE IMPLIED WARRANTIES OF MERCHANTABILITY, FITNESS FOR A PARTICULAR PURPOSE, TITLE AND NON-INFRINGEMENT) ARE HEREBY DISCLAIMED.

b) LIMITATIONS OF LIABILITY.

WE ARE NOT RESPONSIBLE FOR ANY SPECIAL, INCIDENTAL, OR CONSEQUENTIAL DAMAGES OR LOSSES RELATING TO THE USE OF THE RADIO SERVICE, WHETHER BASED ON NEGLIGENCE OR OTHERWISE. OUR TOTAL LIABILITY TO YOU AND ANY OTHER PERSONS RECEIVING OUR SERVICES, REGARDLESS OF THE CAUSE, WILL IN NO EVENT EXCEED THE AMOUNTS THAT YOU HAVE PAID TO US FOR THE SERVICE THAT YOU RECEIVED DURING THE SIX (6) MONTH PERIOD IMMEDIATELY PRIOR TO THE SPECIFIC EVENT THAT GAVE RISE TO THE APPLICABLE DAMAGE OR LOSS. THIS ALLOCATION OF RISK IS REFLECTED IN OUR PRICES. YOU MAY HAVE GREATER RIGHTS THAN DESCRIBED ABOVE UNDER YOUR STATE'S LAWS.



© 2019 GARMIN Corporation

Garmin International, Inc.
1200 E. 151st Street
Olathe, KS 66062 USA

Garmin (Europe) Ltd.
Liberty House, Hounslow Business Park
Southampton, Hampshire SO40 9LR U.K.

Garmin aviation warranty information can be found at
<http://garmin.com/en-US/legal/aviation-limited-warranty>.



TA-2018/5015

APPROVED

Part Number 190-02087-02 Rev. B