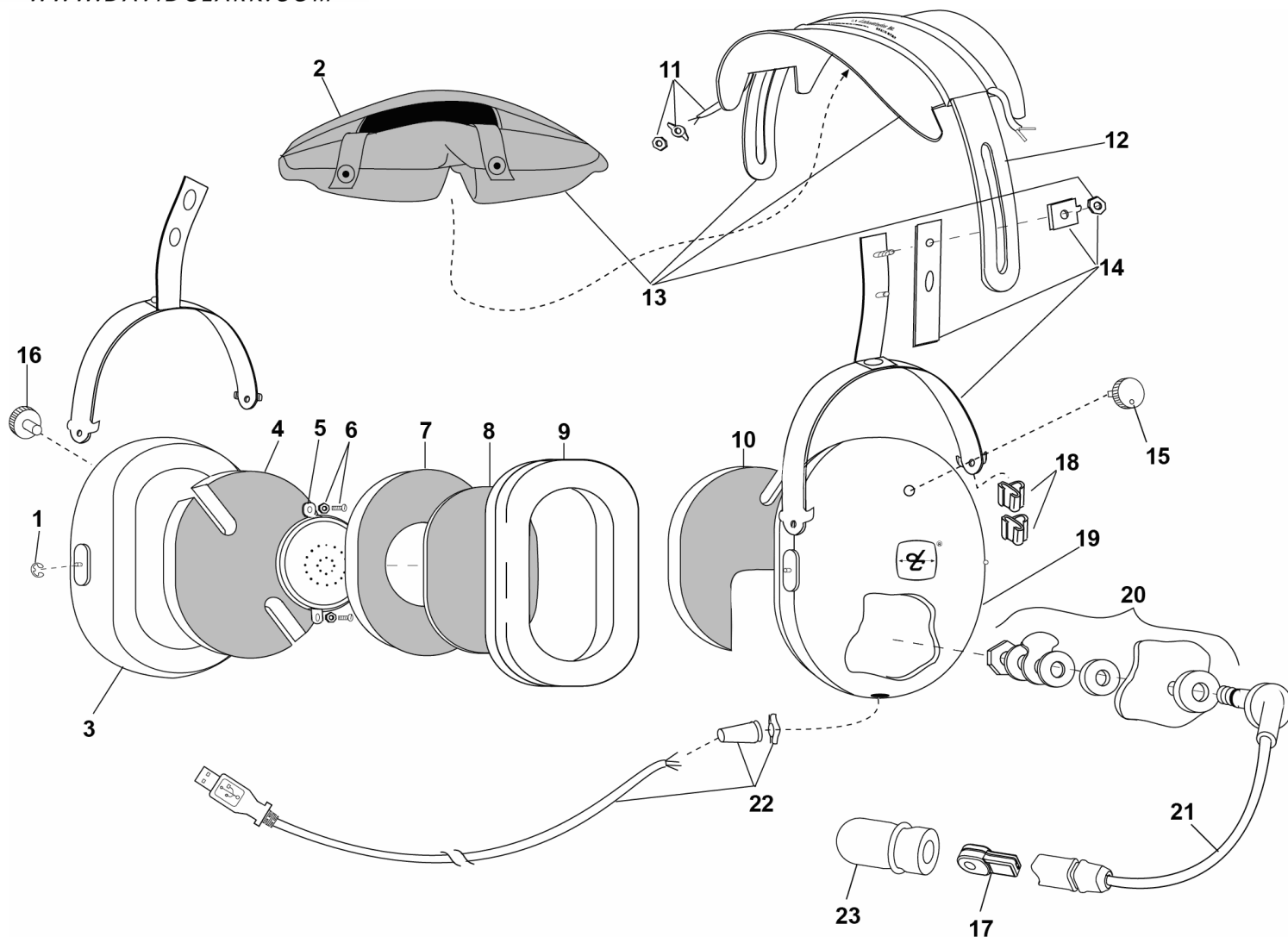


**PARTS LIST
MODEL H-USB**


No.	Description	Part No.
1	Retaining Ring (10/pk)	00009M-03
2	Headpad Restraint, Foam	40867G-01
3	Right Dome	15253P-77
4	Dome Filter	26475P-02
5	Earphone Assembly	10476G-03
6	Screw/Grommet Kit (4 pk)	18900G-47
7	Dome Filter	25629P-03
8	Filter (1 each)	14096P-09
9	Undercut Gel Earseal (pair)	40863G-02
10	Filter (1 each)	26475P-08
11	Overhead Cord	18741G-44
12	Headband Spring	15093P-01

No.	Description	Part No.
13	Headband/Headpad Kit	40688G-36
14	Stirrup & Clamp Kit	22378G-12
15	Volume Control, LH	18661G-65
16	Volume Control Assy	18661G-66
17	Microphone M-55	09168P-66
18	Clip, Cord (4/pk)	15350P-02
19	Left Dome	15253P-07
20	Boom Attachment Kit	12840G-19
21	Mic Boom Assembly	18740G-34
22	Comm Cord Kit	41080G-31
23	Mic Protector w/ O-Ring	40062G-02

ELECTRICAL SCHEMATIC MODEL H-USB

